



# DANCE WITH ME COLLECTION

A LIVELY CHOREOGRAPHY THAT ENHANCES THE DINING EXPERIENCE.

GATHERING AROUND FOOD IS ONE OF THOSE FAMILY RITUALS THAT HELPS US CONNECT WITH OUR LOVED ONES. THEY ARE SYMBOLS OF COMMUNITY THAT BRING TOGETHER FAMILY AND FRIENDS AROUND A TABLE LEADING TO CONVERSATIONS, CONNECTIONS, AND MEMORIES. IN SPAIN, THESE ARE ALMOST LIKE CEREMONIES, ESPECIALLY DURING THE REGIONAL FESTIVITIES WHERE THEY BECOME A SHOWCASE OF THE BEST BITES TO SATISFY THE MOST DEMANDING PALATES. TYPICAL DANCES AND MUSIC, WHICH HAVE PLAYED AN IMPORTANT FACTOR IN THE CULTURAL EXPRESSION OF EACH REGION, USED TO BE PART OF THE CELEBRATIONS TURNING THEM INTO A FULL PARTY. EACH OF THE PIECES OF THE DANCE WITH ME COLLECTION TRANSLATES THE INTRINSIC FESTIVITY OF THOSE DANCES TO THE TABLE, TURNING THE EXPERIENCE INTO A CELEBRATION.

SAURAS



# PALMERO / pal.'mɛ.ro /

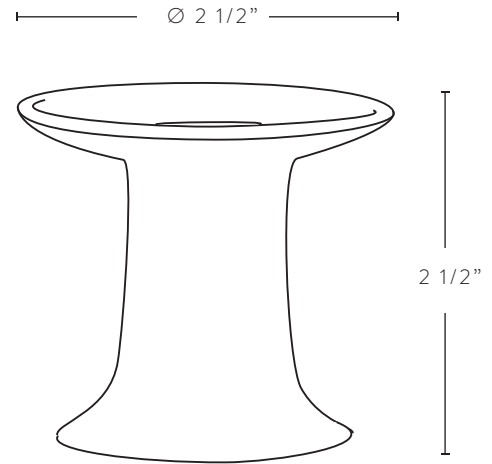
DANCE WITH ME COLLECTION

AS PART OF THE DANCE WITH ME COLLECTION, PALMERO GIVES US THE IMPRESSION THAT THE PIECES ARE DANCING, SYNCHRONIZING THEIR MOVEMENTS WITH THE FOOD.

PALMERO IS NAMED AFTER THE PERFORMER WHO PROVIDES THE ACCOMPANIMENT OF HAND CLAPPING WHILE THE MUSICIANS PLAY DURING A FLAMENCO PERFORMANCE.



SAURAS



\* Each piece is a unique creation and measures might vary slightly.  
Any imperfection is a celebration of the handcrafted process.

# PALMERO / pa.l.'mɛ.ro /

DANCE WITH ME COLLECTION

STONEWARE, GLAZED WITH A DELICATE GALVANIZED-LIKE FINISH.

DESIGNED IN SAN FRANCISCO, HANDCRAFTED IN SPAIN

DIMENSION: Ø 2 1/2" X 2 1/2"H

THE VERSATILE PALMERO, DESPITE ITS SIZE, IS AN ESSENTIAL PIECE AMONG THE COLLECTION. WHEN COMBINED WITH THE OTHER PIECES, IT SETS THE ACCENT AND THE RHYTHM WHILE SUPPORTING THE MAIN ATTRACTION OF THE PERFORMANCE.

INFO@SAURASDESIGNS.COM / WWW.SAURASDESIGNS.COM

© 2019, SAURAS LLC

#### TECHNIQUE

EVERY DISH IS A CAREFULLY HANDCRAFTED STONEWARE PIECE THAT HAS BEEN FIRED AT HIGH TEMPERATURES TO ACHIEVE A ROBUST STRENGTH WHILE KEEPING AN ETHEREAL AND DELICATE LOOK. WHEN LOOKING CLOSER IT IS POSSIBLE TO APPRECIATE A SUBTLE GALVANIZED-LIKE FINISH. THE MATTE AND SHINY VITREOUS TEXTURES ADD EXTRA STRENGTH WHILE GIVING THE PIECES A SPECIAL CHARACTER. FULLY DRESSED TO PERFORM ITS BEST SHOW.



ABOVE ( THE MAKING OF A HAND-CAST PIECE )

BELOW ( DETAIL OF FINISH )

#### CARE INSTRUCTIONS

THE PIECES ARE OVEN, MICROWAVE, FREEZER AND DISHWASHER SAFE. THE DISHES ARE EASY TO CLEAN THANKS TO THE ENAMELLED SCRATCH RESISTANT SURFACES. THE HYGIENIC COOKING SURFACE DOES NOT ABSORB ODORS OR FLAVORS FROM FOOD. FOR DAY TO DAY CLEANING, HAND WASHING WITH WARM SOAPY WATER AND A NYLON SCRUB BRUSH IS RECOMMENDED TO PRESERVE THE ORIGINAL APPEARANCE. RINSE AND DRY THOROUGHLY. IF WASHED IN THE DISHWASHER, ALLOW THE FULL CYCLE TO COMPLETE. IF NECESSARY, A PLASTIC BRUSH OR SCOURING PAD CAN BE USED. DO NOT LEAVE A PIECE FULLY IMMERSSED IN WATER. DO NOT EXPOSE THE PIECE TO FIRE OR ANY OTHER DIRECT HEAT SOURCE. WITH PROPER CARE, THE ELEGANT PIECES IN THE DANCE WITH ME COLLECTION WILL CONTINUE TURNING FOOD GATHERINGS INTO CELEBRATIONS FOR YEARS TO COME.

